

Communications & Power Industries Coaxial Magnetron



FEATURES:

- Frequency 9.355 – 9.395 GHz
- Peak power output 60 kW
- Duty cycle .001
- Anode voltage 16 kV
- Anode current 15 amps
- Pulse width 1 microseconds
- Heater 12 volts @ 2.6 amps
- Conduction cooled
- Fixed frequency

BENEFITS:

- Long life
- Exceptional frequency stability

APPLICATIONS:

- Air traffic control radars
- Weather radars

CPI X-Band 60 kW Coaxial Magnetron: VMX1942

Electrical Specifications

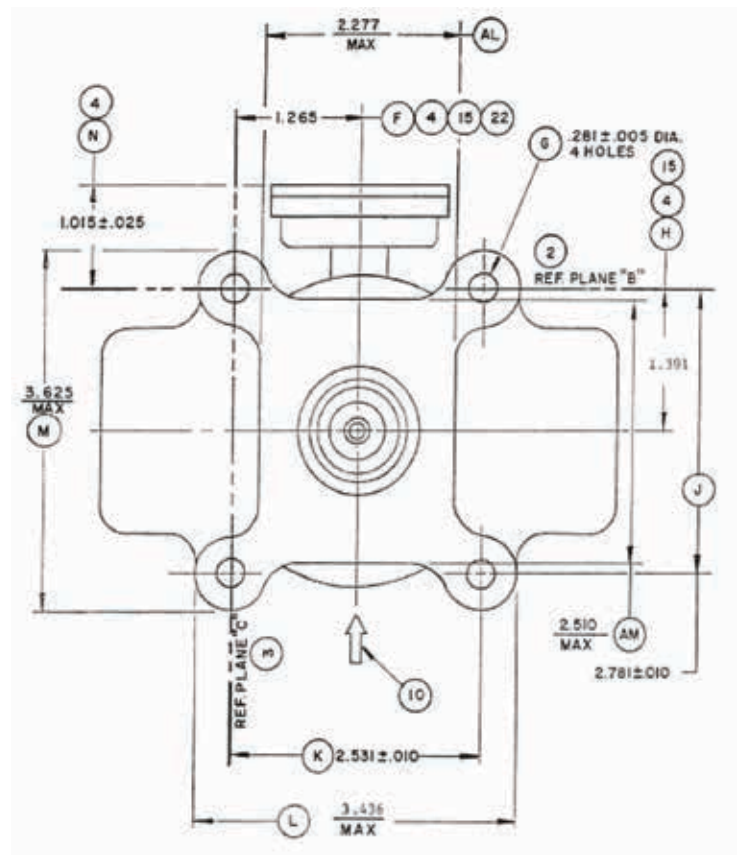
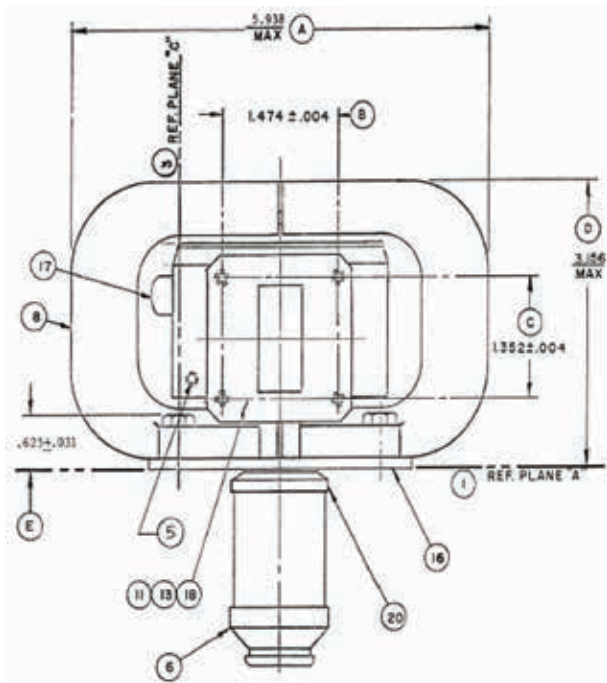
Frequency	9.3 – 9.4 GHz
Peak power output	60 kW
Average power output	0.066 kW
Pulse voltage	14.0 – 16.0 kV
Peak anode current	22 A
Average anode current	15.0 mA
Pulse width	5.3 μ S
Duty cycle	0.0011
Maximum filament voltage	14 V
Maximum filament current	2.6 A
Minimum warm-up time	120 S
Maximum load VSWR	1.5:1

Mechanical and Environmental Specifications

Cooling	Forced air
Maximum body temperature	120°C
Mounting position	Any
Support	Mounting flange
Coupling	RF-51/U choke flange
Weight	7.5 lbs. (3.44 kg)

With a history of producing high quality products, we can help your with magnetron.

Contact us at BMDMarketing@cpii.com or call us at +1 978-922-6000.



Beverly Microwave Division
150 Sohier Road
Beverly, Massachusetts
USA 01915

tel +1 978-922-6000
email BMDMarketing@cpii.com
fax +1 978-922-8914
web www.cpii.com

For more detailed information, please refer to the corresponding CPI technical description if one has been published, or contact CPI. Specifications may change without notice as a result of additional data or product refinement. Please contact CPI before using this information for system design.

©2020 Communications & Power Industries LLC. Company proprietary; use and reproduction is strictly prohibited without written authorization from CPI.